



BASA 380TSV

1. DESCRIPCION GENERAL

- a. The Basa380TSV is the new model that replaces the MP380TSV Card.
- b. Microprocessor controlled three-phase control module for thyristors
- c. The general characteristics are described below.

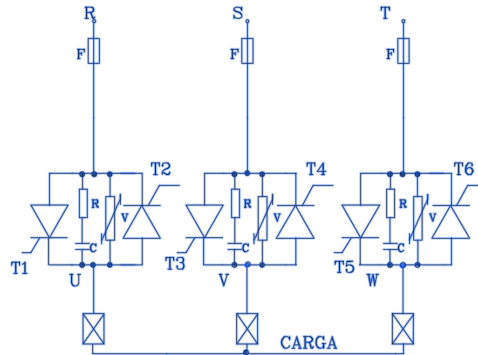
2. SPECIFICATIONS

TECHNICAL CHARACTERISTICS	
<i>Supply Voltage</i>	<i>230 -400 Vca 45-65 Hz</i>
<i>Control de fase digital por teclado</i>	<i>0-5V ,0-10V, 0-20 mA o 4-20 mA</i>
<i>Programmable start and stop ramps with optional pedestal</i>	<i>Programmable</i>
<i>Galvanic Insulation</i>	<i>4000 V</i>
<i>Phase failure detection</i>	<i>Included - Stop</i>
<i>Correct phase sequence detection</i>	<i>Included- Display</i>
<i>Overheating protection</i>	<i>Included- Programable</i>
<i>External inhibition input</i>	<i>Included</i>
<i>Display</i>	<i>Included</i>
ELECTRICAL CHARACTERISTICS	
<i>Supply Voltage</i>	<i>230 - 400 V – Selected by way of the bridges</i>
<i>Power drain</i>	<i>15 VA</i>
<i>Input Voltages</i>	<i>0-5V ,0-10V, 0-20 mA o 4-20 mA</i>
<i>Output Signals</i>	<i>+ 5 V , +15 V , -15 V</i>
<i>Trigger Current</i>	<i>300 mA</i>
<i>Working Temperature</i>	<i>5-60°C</i>
MECHANICAL CHARACTERISTICS	
<i>MESURE</i>	<i>200 mm * 165 mm</i>
<i>WEIGHT</i>	<i>1 Kg</i>
<i>ANCLAJE</i>	<i>Soportes</i>
ANOTHER CHARACTERISTICS	
<i>Topology. Power Circuits</i>	<i>W3C – B6C</i>
<i>Perfect operation with inductive loads</i>	<i>Up to $\cos \varphi = 0,2$</i>
<i>Current Limitation</i>	<i>With Current transformer or Hall probe input</i>
<i>Select Start</i>	<i>Manual or Automatic</i>
<i>Fault Alarm and Status on</i>	<i>DISPLAY</i>
PARAMETERS	PROGRAMMABLE on display

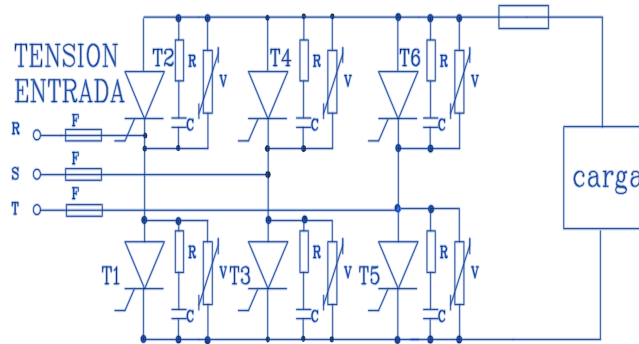


3. TOPOLOGY

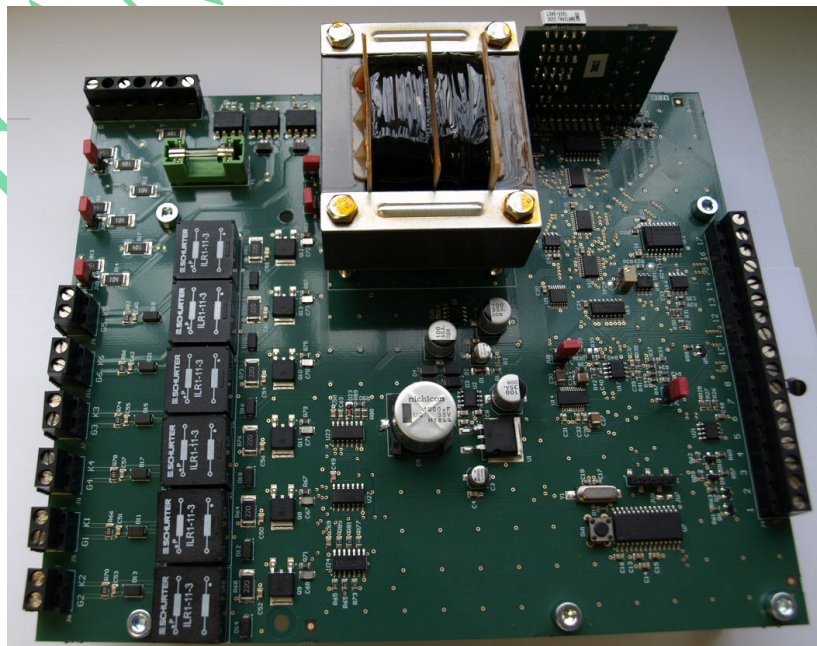
a. CONNECTION W3C



b. CONNECTION B6C



4. CONTROL CARD



Componentes Electronicos Angel Saenz

Poligono 27 Martutene Mateo Errota 11 Pabellon 7

www.angelsaenz.com info@angelsaenz.com 943321250